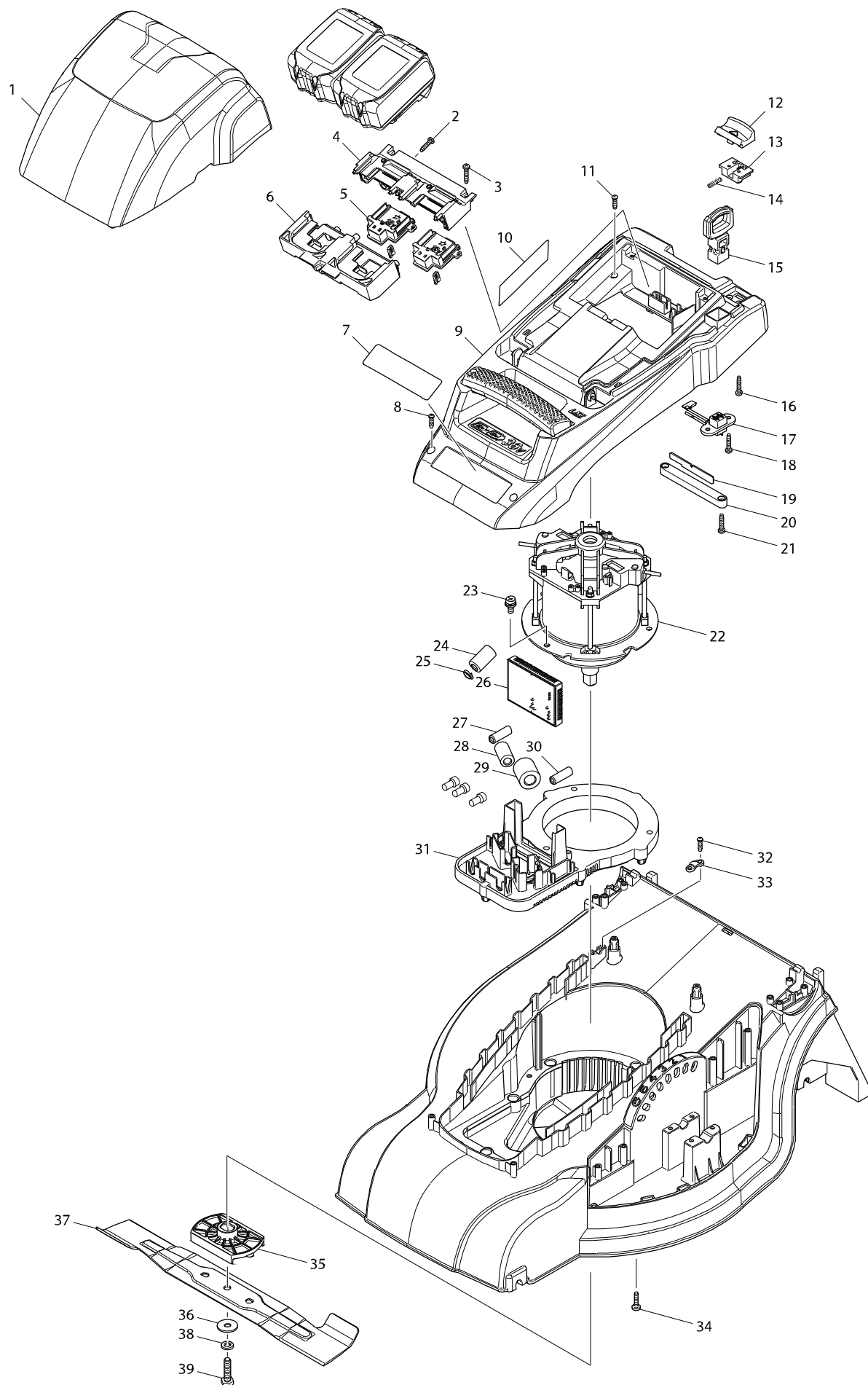


Číslo typu DLM380 380MM CORDLESS LAWN MOWER



Číslo typu DLM380 380MM CORDLESS LAWN MOWER

Číslo typu DLM380 380MM CORDLESS LAWN MOWER

Číslo typu DLM380 380MM CORDLESS LAWN MOWER

Položka	Číslo dílu	Popis	Změn	Množstv	N/O	Možnost 1	Možnost 2	Poznámka
001	142585-1	BATTERY COVER COMPLETE E		1				
C10	263005-3	vymezovací čep 6		1				
C20	890380-0	CAUTION LABEL		1				
002	266424-2	TAPPING SCREW 4X20		3				
003	266424-2	TAPPING SCREW 4X20		3				
004	187926-4	TERMINAL HOUSING SET		1				
C10	263005-3	vymezovací čep 6		4				
D10		INC. 6						
005	644808-8	TERMINAL		2				
006	187926-4	TERMINAL HOUSING SET		1				
C10	263005-3	vymezovací čep 6		4				
D10		INC. 4						
007	803J08-1	MAKITA LOGO LABEL		1				
008	266890-3	TAPPING SCREW 4X16		2				
009	142591-6	COWLING COMPLETE		1				
010	815M03-7	DLM380 NAME PLATE		1				
011	266890-3	TAPPING SCREW 4X16		2				
012	453250-0	LOCK LEVER		1				
013	453251-8	LOCK LEVER SUPPORT		1				
014	233173-6	pružina UC3020A-Serie		1				
015	643890-4	KEY		1				
016	266424-2	TAPPING SCREW 4X20		2				
017	638946-6	LEAD UNIT		1				
018	266424-2	TAPPING SCREW 4X20		2				
019	620278-5	LED CIRCUIT		1				
020	455070-8	LED COVER		1				
021	266424-2	TAPPING SCREW 4X20		2				
022	629118-4	DC MOTOR		1				
023	266892-9	+ PAN HEAD SCREW M6X16 WITH WR		3				
024	688162-0	LINE FILTER		1				
025	687010-0	pružina		1				
026	620277-7	CONTROLLER		1				
027	688165-4	LINE FILTER		1				
028	688162-0	LINE FILTER		1				
029	688140-0	LINE FILTER		1				
030	688165-4	LINE FILTER		1				
031	455064-3	MOTOR BRACKET		1				
032	266890-3	TAPPING SCREW 4X16		2				
033	687A88-9	CORD CLAMP		1				
034	266420-0	TAPPING SCREW 5X20		6				
035	455130-6	BLADE SUPPORT		1				
036	253852-0	podložka 8		1				
037	196863-1	BLADE 380 SET		1				
038	942201-3	pérová podložka 8		1				
039	266889-8	HEX BOLT M8X30		1				
040	332106-9	SWITCH LEVER		1				
041	455076-6	SWITCH LEVER CASE		1				
042	455078-2	ARM		1				

Položka	Číslo dílu	Popis	Změn	Množstv	N/O	Možnost 1	Možnost 2	Poznámka
043	455077-4	SWITCH LEVER CASE COVER		1				
044	266424-2	TAPPING SCREW 4X20		1				
045	911138-5	PAN HEAD SCREW M4X20		1				
046	266424-2	TAPPING SCREW 4X20		4				
047	455073-2	SWITCH BOX COVER		1				
048	911138-5	PAN HEAD SCREW M4X20		1				
049	455074-0	SWITCH BUTTON		1				
050	233068-3	COMPRESSION SPRING 6		1				
051	455075-8	LEVER		1				
052	266424-2	TAPPING SCREW 4X20		2				
053	687124-5	držák kabelu		1				
054	650730-9	SWITCH TG72BD-6		1				
055	231876-6	TENSION SPRING 9		1				
056	455072-4	SWITCH BOX		1				
057	332109-3	UPPER HANDLE		1				
058	660480-8	POWER SUPPLY CORD #16-3-0.95		1				
059	455071-6	CORD HOLDER		1				
060	252657-5	THUMB NUT M8		1				
061	455131-4	CURL WASHER 8		1				
062	266893-7	FLAT HEAD BOLT M8X45		1				
063	266893-7	FLAT HEAD BOLT M8X45		1				
064	455131-4	CURL WASHER 8		1				
065	252657-5	THUMB NUT M8		1				
066	126429-3	GRASS CATCHER ASSEMBLY M		1				
070	DA00000348	REAR COVER ASSEMBLY		1				
071	DA00000332	AXIS		1				
072	DA00000352	SPRING		1				
073	DA00000326	SELF DRIVING SCREW 5X16		4				
074	DA00000327	THUMB SCREW M8		1				
075	DA00000350	RIGHT FIXING BOARD OF HANDLE		1				
076	DA00000343	HEXAGON NUT		1				
077	DA00000326	SELF DRIVING SCREW 5X16		4				
078	DA00000343	HEXAGON NUT		1				
079	DA00000344	LEFT FIXING BOARD OF HANDLE		1				
080	DA00000327	THUMB SCREW M8		1				
081	DA00000345	LOWER HANDLE BAR		2				
082	DA00000346	PIPE PLUG		2				
083	DA00000354	WATER PROOF STRIP		2				
084	DA00000334	DECK		1	*			
084-1	DA00000778	DECK	<	1				
085	DA00000339	HEIGHT ADJUSTMENT HANDLE		1				
086	266890-3	TAPPING SCREW 4X16		4				
087	DA00000338	HANDLE OF PRESSING BOARD		2				
088	DA00000337	GRASS-PROOF STRAP		1				
089	266890-3	TAPPING SCREW 4X16		2				
090	DA00000353	SPRING OF CONNECTING ROD		1				
091	DA00000347	WASHER		1				
092	DA00000326	SELF DRIVING SCREW 5X16		1				

Položka	Číslo dílu	Popis	Změn	Množstv	N/O	Možnost 1	Možnost 2	Poznámka
093	DA00000341	HEIGHT ADJUSTMENT POLE 2		1				
094	DA00000340	HEIGHT ADJUSTMENT POLE 1		1				
095	DA00000333	CONNECTION ROD PIN		4				
096	266890-3	TAPPING SCREW 4X16		4				
097	DA00000326	SELF DRIVING SCREW 5X16		1				
098	DA00000351	SIDE DISCHARGE COVER OF DECK		1				
099	DA00000331	7.5" WHEEL COVER		2				
100	DA00000342	HEXAGON LOCKING NUT		2				
101	DA00000330	7.5" WHEEL ASSEMBLY		2				
102	DA00000335	FRONT AXLE PLATE		2	*			
102-1	161373-7	PLATE	<	1				
103	DA00000326	SELF DRIVING SCREW 5X16		4				
104	DA00000349	REAR WHEEL AXLE ASSEMBLY		1				
105	DA00000329	5.5" WHEEL COVER		2				
106	DA00000342	HEXAGON LOCKING NUT		2				
107	DA00000328	5.5" WHEEL ASSEMBLY		2				
108	DA00000335	FRONT AXLE PLATE		2				
109	DA00000326	SELF DRIVING SCREW 5X16		4				
110	DA00000336	FRONT WHEEL AXIS ASSEMBLY		1				
111	DA00000360	LEVEL INDICATOR		1				
112	DA00000359	HANDLE OF GRASS CATCHER		1				
113	DA00000362	UPPER COVER OF GRASS CATCHER		1				
114	DA00000326	SELF DRIVING SCREW 5X16		2				
115	DA00000361	PRESSING PLATE		2				
116	266890-3	TAPPING SCREW 4X16		4				
117	DA00000358	GRASS CATCHER BRACKET		1				
118	DA00000357	GRASS CATCHER		1				
A01	782016-4	OFFSET WRENCH 13		1				
A02B	***DC18RC	DC18RC FAST CHARGER		1				
A03B	194204-5	baterie BL1830 18V/3,0Ah Li-ion		2	*			
A03-1B	194204-5	baterie BL1830 18V/3,0Ah Li-ion	O	2				
A04B	450128-8	kryt baterie		2	*			
E01	800A17-7	SOUND 94DB LABEL		1				
E02	890374-5	INDICATION LABEL		1				
E03	803J02-3	CAUTION LABEL		1				